

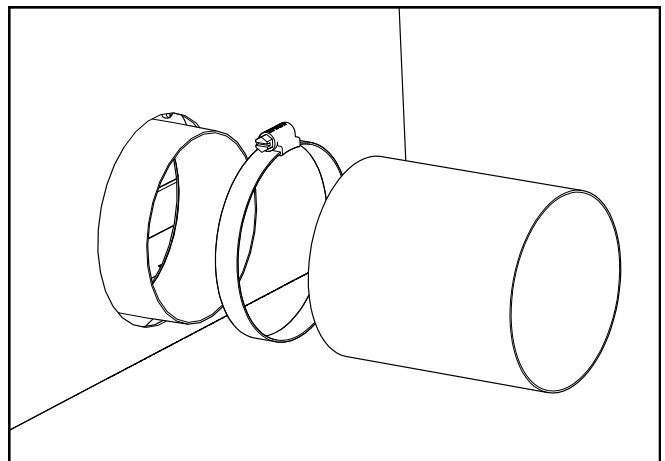
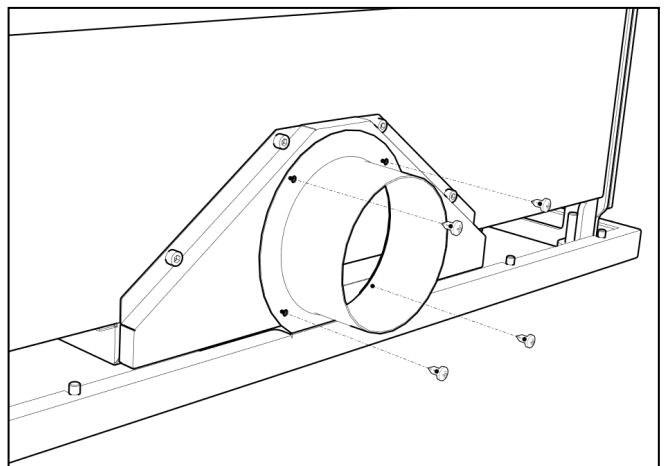
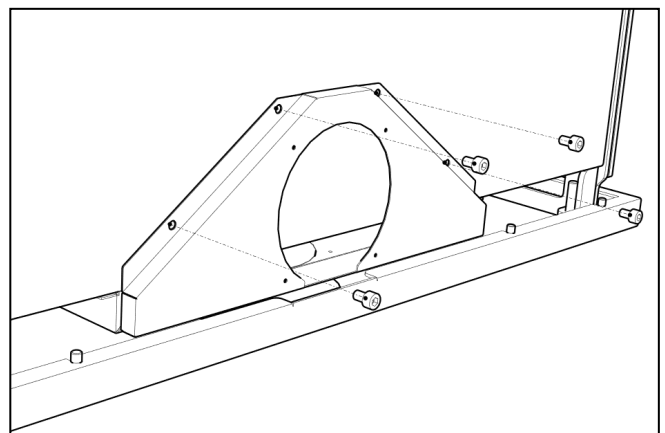
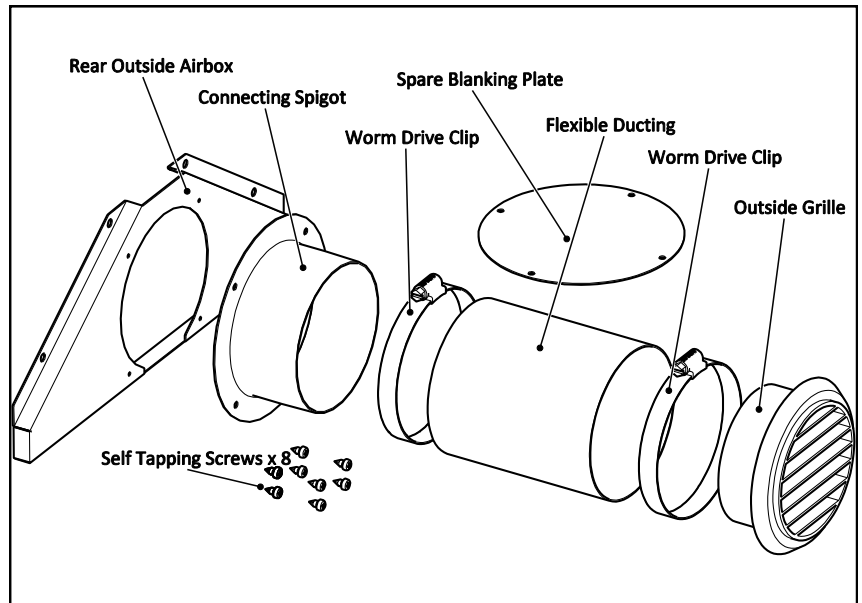
Purevision LPV Linear Stoves

Dedicated outside air kit installation instructions—LPV Stoves:

A direct outside air connection can be made to the stove to supply air for combustion and operation of the flue. 100mm diameter flexible aluminium ducting or similar material is suitable. A length of up to 6m with 4 x 90 degree bends has been tested and found acceptable.

Check contents of kit as per the diagram.

1. Remove rear casing as follows: Remove the top plate from its locations. The rear casing panel can then be lifted off from its locating pins.
2. Carefully cut linking tabs and knock out the triangular rear blanking plate from the back panel that covers the aperture for the rear outside airbox and connecting spigot to be fitted.
3. Remove the 4 x mounting screws that are already fitted into the back of the firebox – these will be used to fix the external air box to the stove.
4. Assemble the external air box to the stove and secure a spigot to the rear of the stove as shown.
5. If a base air connection is required - assemble the flat blanking plate to the external air box instead of the spigot shown.
6. Replace the rear casing panel.



LPV Linear Freestanding Stoves

Dedicated outside air kit installation instructions (cont'd):

7. For a base air connection - remove the base air blanking cover where it is laser pre-cut (arrowed)
8. For a base air connection - assemble the connector spigot to the base air intake box fixing holes provided.
9. Prepare the 100mm diameter hole through the wall or floor.
10. Continue to attach the flexible ducting through the wall and connect to the external vent provided using the worm drive clips to secure.
11. Connect external grille to flexible ducting and secure to wall with suitable wall fixings.

